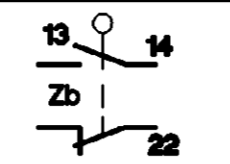


Honeywell

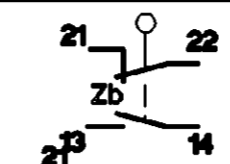
**LIMIT SWITCH**

CATALOGUE LISTING  
**GLS**  
CHART NO.  
**MTG-GL-171**

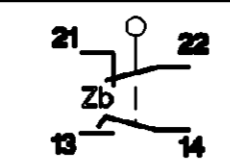
SNAP-ACTION CONTACTS



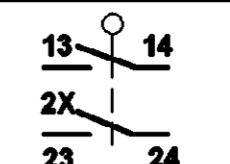
SLOW-ACTION CONTACTS (BREAK BEFORE MAKE)



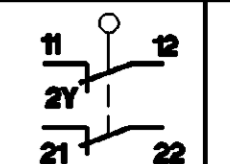
SLOW-ACTION CONTACTS (MAKE BEFORE BREAK)



SLOW-ACTION CONTACTS (2 NORMALLY OPEN)



SLOW-ACTION CONTACTS (2 NORMALLY CLOSED)



CONTACT BLOCK DIAGRAM TERMINAL DESIGNATION TO EN 50013

NOMINAL TRAVELS AND RELATED TERMINALS  
CONTACT CLOSED  
CONTACT OPEN  
\* POSITIVE OPENING TO IEC 947-5-1

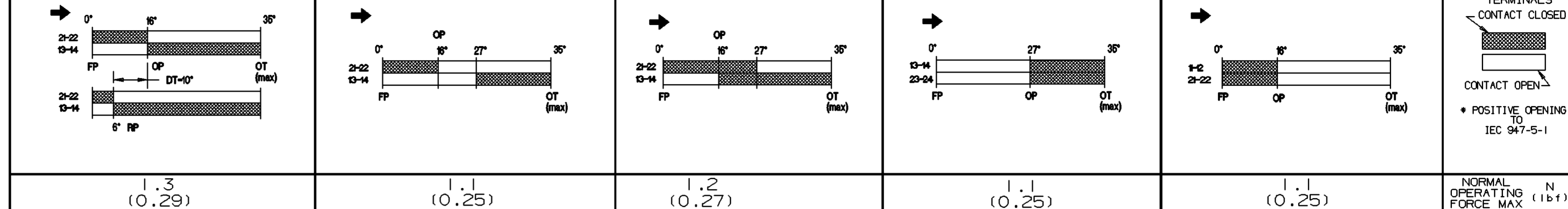
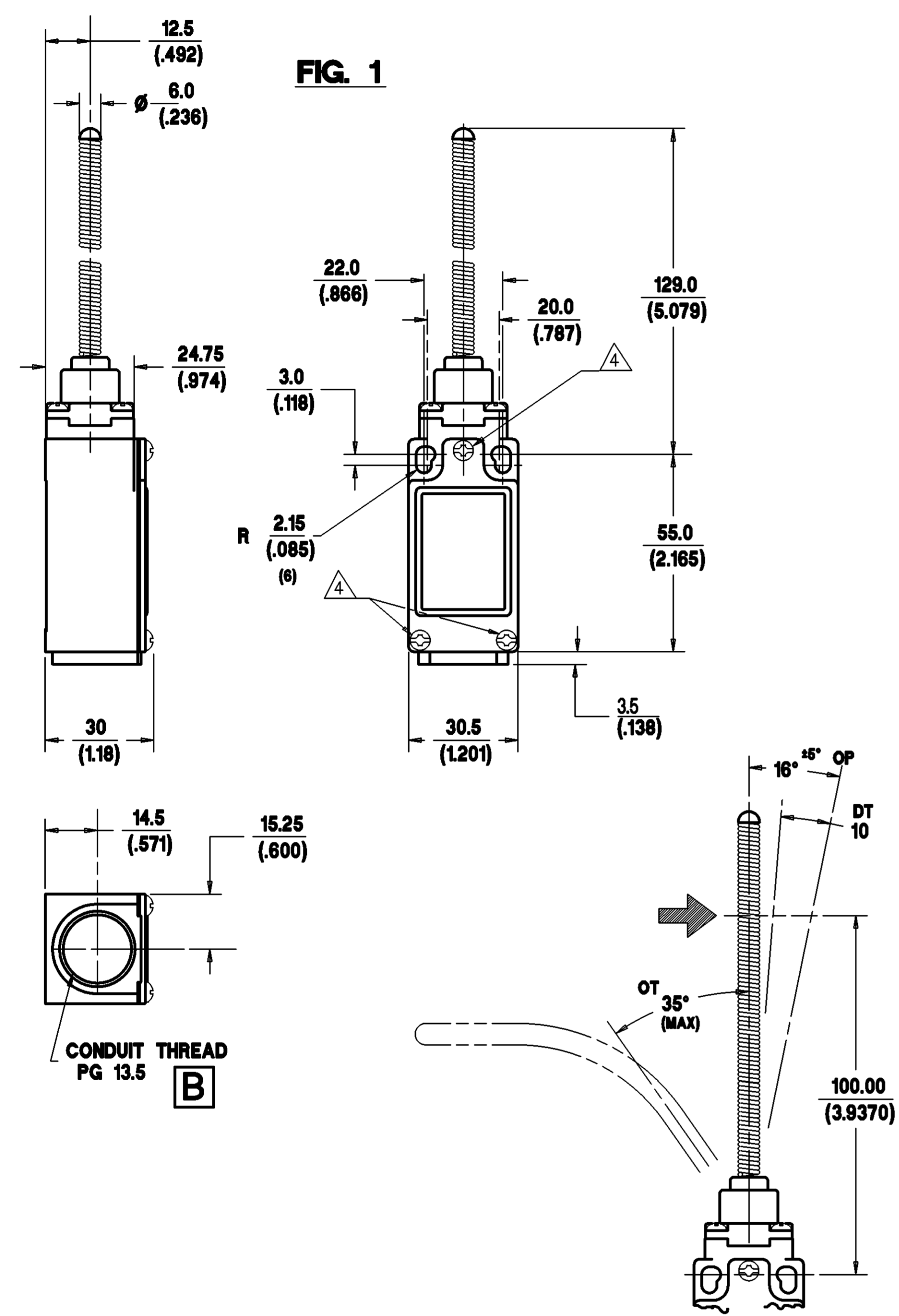
NORMAL OPERATING FORCE MAX (lb f)

**MTG-GL-171**

REPLACES  
DRAWING NUMBER  
AO18-38

REVISIONS

6	9/96
AO18-275	
7	12/96
AO18-293	
8	7/97
CO-000083	
9	CO/395
I WEIR 6/99	
10	0030048
MST 23APR07	
11	0037216
BS 07FEB08	



BASIC SWITCH  
CONDUIT THREAD (SEE FIGS. 1 & 2)  
EN50047 BODY TYPE (SEE FIG. 1)  
WOBBLE ACTUATOR (SEE FIG. 1)

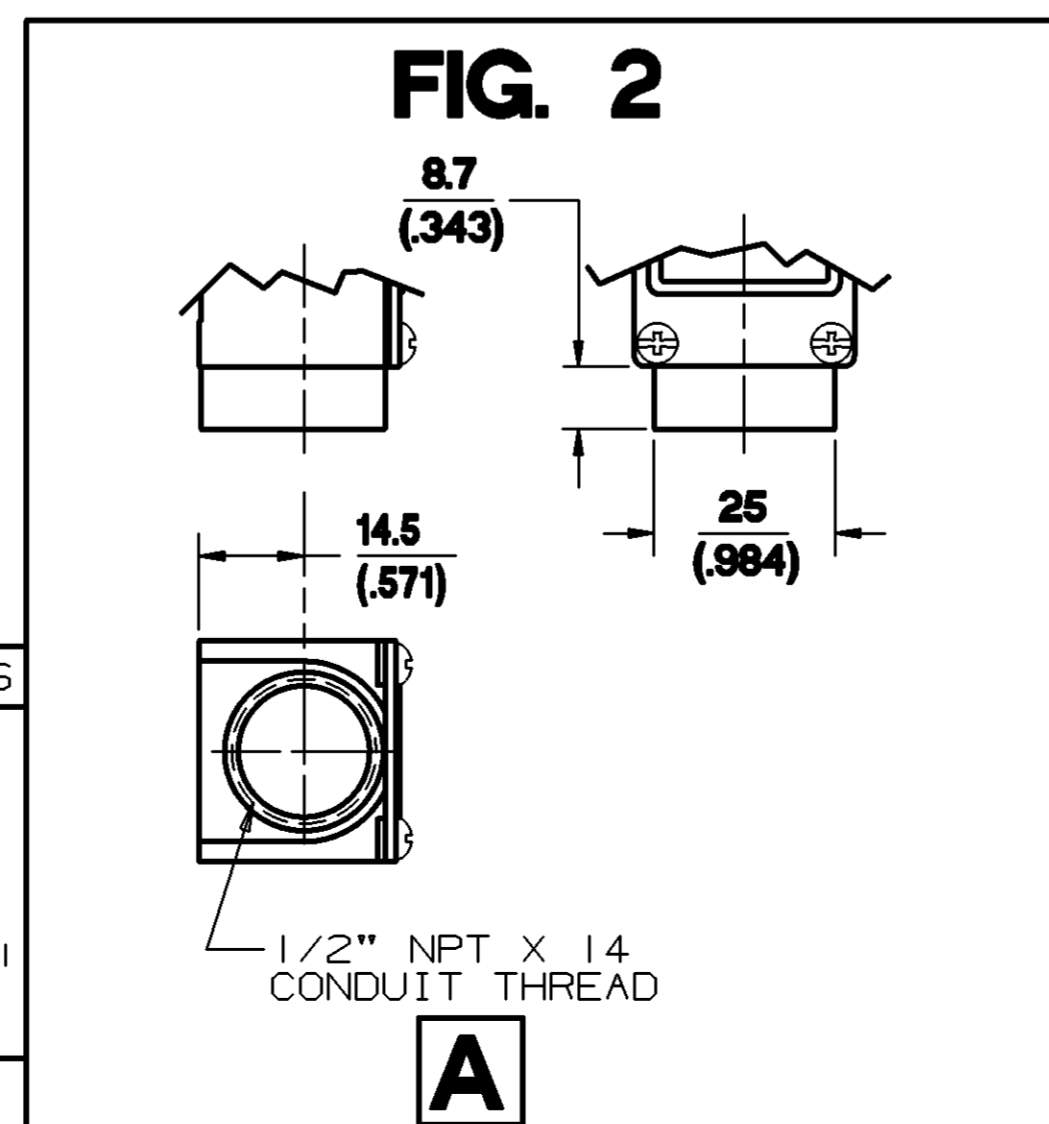
**GLC X XX E7B - XXXX** - MODIFICATION CODE

- A 01 1/2" NPT X 14 CONDUIT THREAD
  - B 03 PG 13.5 CONDUIT THREAD
  - C 04 M20 X 1.5 CONDUIT THREAD
  - D 05 PF 1/2 CONDUIT THREAD
  - 06
  - 07
  - 33
  - 34
  - 35
  - 36
  - Q01 CONNECTOR .4 PIN MICRO. ONLY AVAILABLE WITH CONDUIT THREAD TYPE 'B'.
  - Q02 CONNECTOR .5 PIN MICRO TWIN KEYWAY. ONLY AVAILABLE WITH CONDUIT THREAD TYPE 'B'.
  - Q03 CONNECTOR .4 PIN MINI. ONLY AVAILABLE WITH CONDUIT THREAD TYPE 'B'.
  - Q04 CONNECTOR .5 PIN MINI. ONLY AVAILABLE WITH CONDUIT THREAD TYPE 'B'.
  - Q07 CONNECTOR .5 PIN MICRO. ONLY AVAILABLE WITH CONDUIT THREAD TYPE 'B'.
- CABLE 5 WIRE WITH GROUND. LAST CHARACTER IS CABLE LENGTH 'L' = 1MTR. CABLE LENGTHS ARE FROM 1 TO 9 METRES. ONLY AVAILABLE WITH CONDUIT THREAD TYPE 'B'.

- NOTES:-
- ZINC DIECAST BODY AND HEAD WITH STEEL COVER. BODY AND COVER FINISHED IN MICRO SWITCH BLUE EPOXY PAINT. HEAD FINISHED IN BLACK EPOXY PAINT.
  - MINIMUM OPERATING VELOCITY (Vmin) = 0.13 rad/s  
MAXIMUM OPERATING VELOCITY (Vmax) = 13 rad/s  
MAXIMUM OPERATING FREQUENCY (Fmax) = 250 OPS/MIN
  - FREE POSITION (FP), OPERATING POINT (OP), OVERTRAVEL (OT) AND PRETRAVEL (PT) ALL TO EN50047.
- ⚠️ MAXIMUM TIGHTENING TORQUE FOR FIXING SCREW = 0.5Nm (4.4in.LB)

NO CHANGES CAN BE MADE TO THIS DRAWING WITHOUT JOINT NEWHOUSE/FREEPORT APPROVAL

NOTE:- ANY STANDARD LISTING WITH SUFFIX 'RS' OR 'FE' IS PERMITTED.



NOTE: FOR CONNECTION DIAGRAMS AND ADDITIONAL ELECTRICAL, ENVIRONMENTAL & DIMENSIONAL INFORMATION SEE DRAWING GL-49212.

3/93	STANDARD SILVER CONTACTS	GOLD PLATED CONTACTS	ENVIRONMENTAL		APPROVALS
3/93	ELECTRICAL RATING	ELECTRICAL RATING	ENVIRONMENTAL		APPROVALS
3/93	AC	DC	ENVIRONMENTAL		APPROVALS
	A300 AC15 Ue Ie	0300 DC13 Ue Ie	IP66 NEMA 1, 4, 12, 13		UL IEC 947-5-1 EN50047
	VOLTS AMPS 120 6 240 3	VOLTS AMPS 125 0.55 250 0.27	TEMP RANGE : -25°C TO 85°C -13°F TO 185°F STORAGE : -40°C TO 85°C -40°F TO 185°F		
			SHOCK : 50G PER IEC 68-2-27 VIBRATION : 10G PER IEC 68-2-6		
M. LOCH	DRAWN		SCALE		DIMENSIONS ARE IN
I. WEIR	CHECK		1:1		MM/INCHES.
J. BOYD	DESIGN		MODIFY ON CAD		SYSTEM ONLY
P. TRICKETT	AUTHOR		THIRD ANGLE PROJECTION		

THE COPYRIGHT OF THIS DRAWING IS THE PROPERTY OF HONEYWELL LTD. THE DRAWING IS SUPPLIED IN CONFIDENCE AND MUST NOT BE USED FOR ANY PURPOSE OTHER THAN THAT FOR WHICH IT IS SUPPLIED.